



CSI-Pro

Instruction manual

Classic Sport Ignition – Lucas 23D or 25D

Dual polarity: Positive and / or Negative Ground

General:

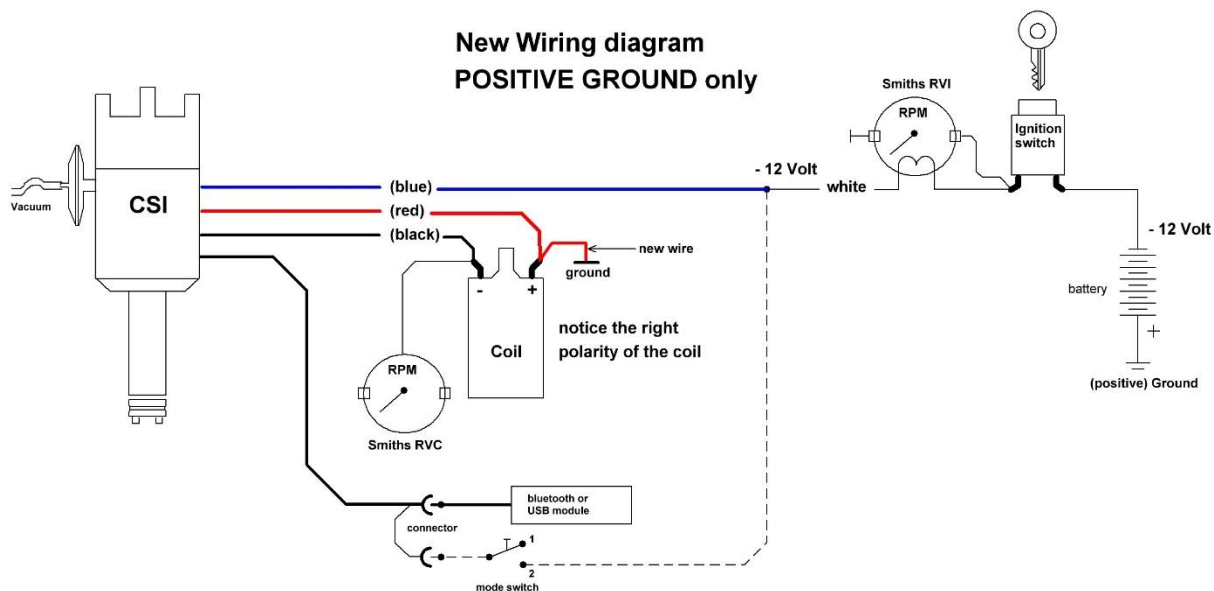
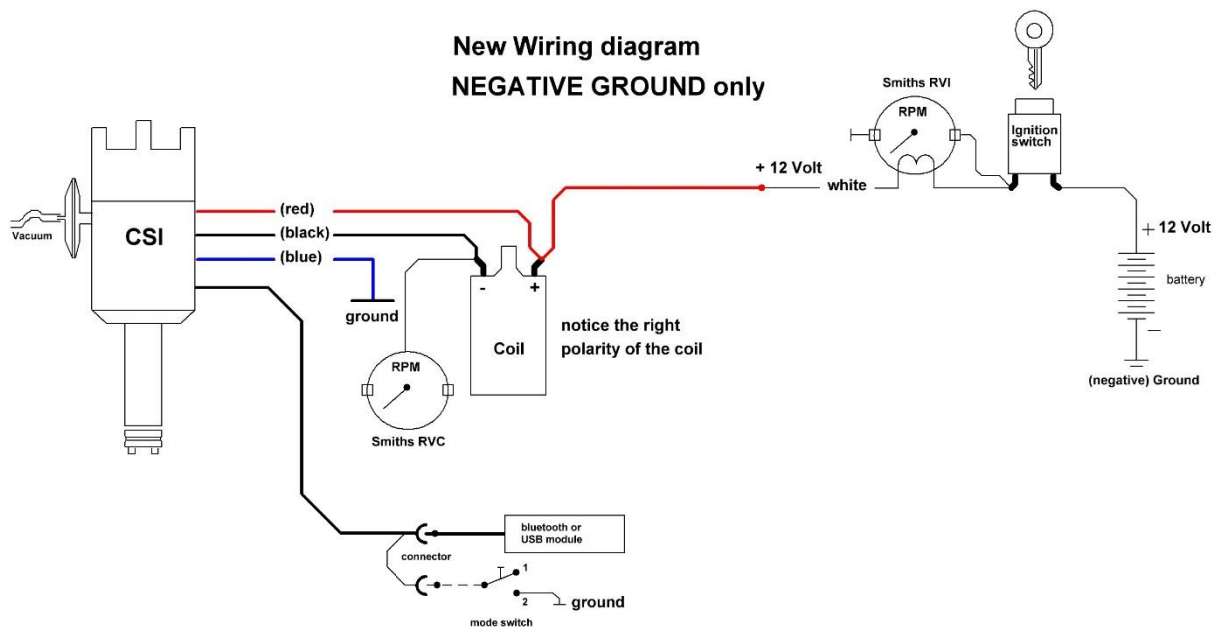
- Free programmable CSI-Pro distributor for Windows and Android applications.
- Direction; anti clockwise (seen at the top) like the original Lucas distributors.
- Lucas 23D or 25D housing with Uni polarity; Negative and positive earth (see diagrams)
- Selectable between 2 modes (curves etc.) while driving.
- Also programmable while the engine is running.
- For using Standard and high energy coils (more as 1 ohm)

Please read this instruction carefully. An incorrect installation can destroy the CSI and/or damage the engine! In case of any doubt, please consult an expert. Watch out for high voltage!

Installation:

1. You can use a **standard 3 ohm coil** like the Bosch blue and the Lucas DLB105
Or a **1,5 ohm high energy coil** like the Bosch red and the Lucas DLB110
The resistor value should be more as 1 ohm.
It is recommended to use HT silicon leads (with resistance of 2 K ohm to 5 K ohm).
2. Set the engine on Top Dead Centre, using the original timing marks at the flywheel or crankshaft pulley, check that the rotor of the old distributor points to the number one ignition cable of the cap, (compression stroke nr. 1) otherwise turn the crankshaft 360 degrees.
3. Remove the old distributor and fit the CSI.
4. Disconnect all wires of the ignition coil, connect the wirings now like shown on the diagrams for negative earth or positive earth cars.
5. Check the wiring again!
6. Switch the ignition on.
7. Turn the CSI body to the left (anti clockwise) until the led flashes.
8. Then slowly turn the ignition to the right (clockwise) until the blue led lights continuously.
The CSI is now adjusted to the static adjustment point. The rotor must be pointing now again to the number one ignition cable of the cap.
9. Tighten the CSI, switch the ignition off.
10. Assemble the distributor cap and connect the ignition cables, watch the fire order and keep the high-voltage cables as far away as possible from the other cables (to prevent interference).
11. When you have programmed the CSI-Pro, on let's say 10 degrees at idle (300 – 1000 rpm), check this once with the help of a stroboscope, re-adjust if needed the distributor body. So now the readings on the screens are also the real engine advance degrees.

See the Manual of the CSI-Pro for Windows (USB) or Android, iOS (Bluetooth) on our site under downloads, for the programming options.



www.csi-ignition.com